

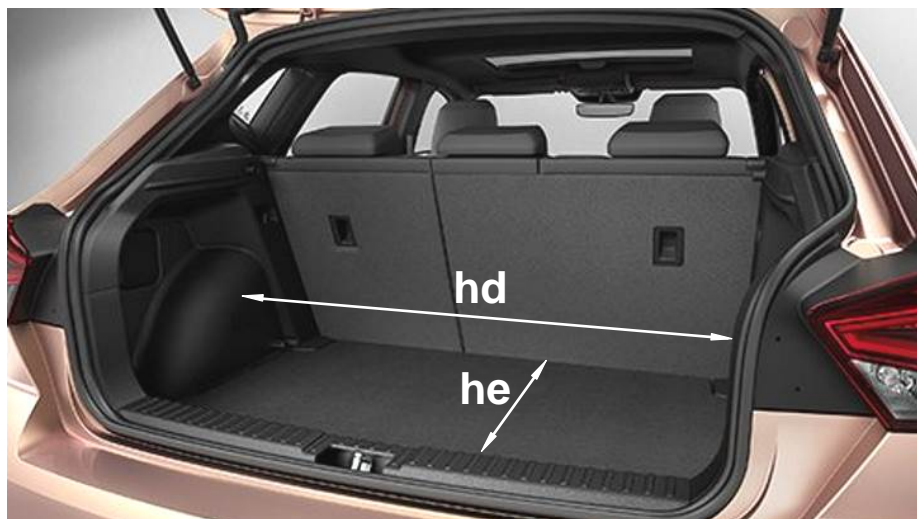
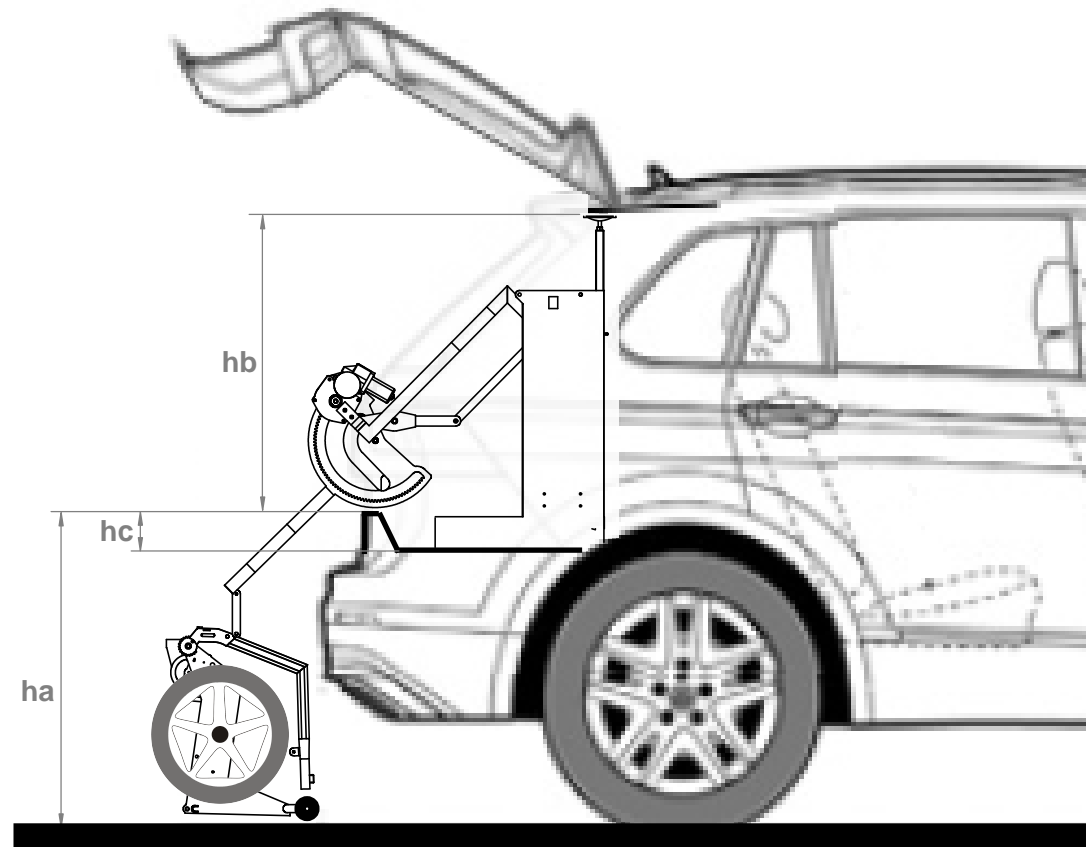
Required boot dimensions for DI BLASI standard lifter

- ha = 75 cm (29,5 in) maximum
- hb = 64 cm (25,2 in) minimum)
- hc = 0 - 200 mm
- hd = 90 cm (35,5 in) minimum - 120 cm (47 in) maximum
- he = 52 cm (16 in) minimum - 84 cm (33 in) maximum

On demand the lifter can be supplied made fit for boot having:

- ha = 82.5 cm (32,5 in) provided hb = 68cm (27 in) minimum
- or
- ha = 90 cm (35,5 in) provided hb = 72cm (28,5 in) minimum

On demand the lifter can be made suitable for dimensions (hd) and/or (he) greater than the above maximum ones: in this case the customer should specify the dimensions (hd) and/or (he) of the boot of his car.



Lifter overall dimensions in cm (in)

